

Clayton® Deck-Mount Bath Faucet

FEATURES

- Lever handle
- Solid brass construction
- Ceramic disk valve cartridge
- Accommodates 8" -16" spread

COLORS/FINISHES

- #CP Polished Chrome
- #BN Brushed Nickel
- #PN Polished Nickel

CODES/STANDARDS

- Meets or exceeds ASME A112.18.1/CSA B125.1
- Certifications: IAPMO(cUPC), State of Massachusetts and others
- Code Compliance: UPC, IPC, NSPC, NPC Canada, and others
- ADA compliant



PRODUCT SPECIFICATION

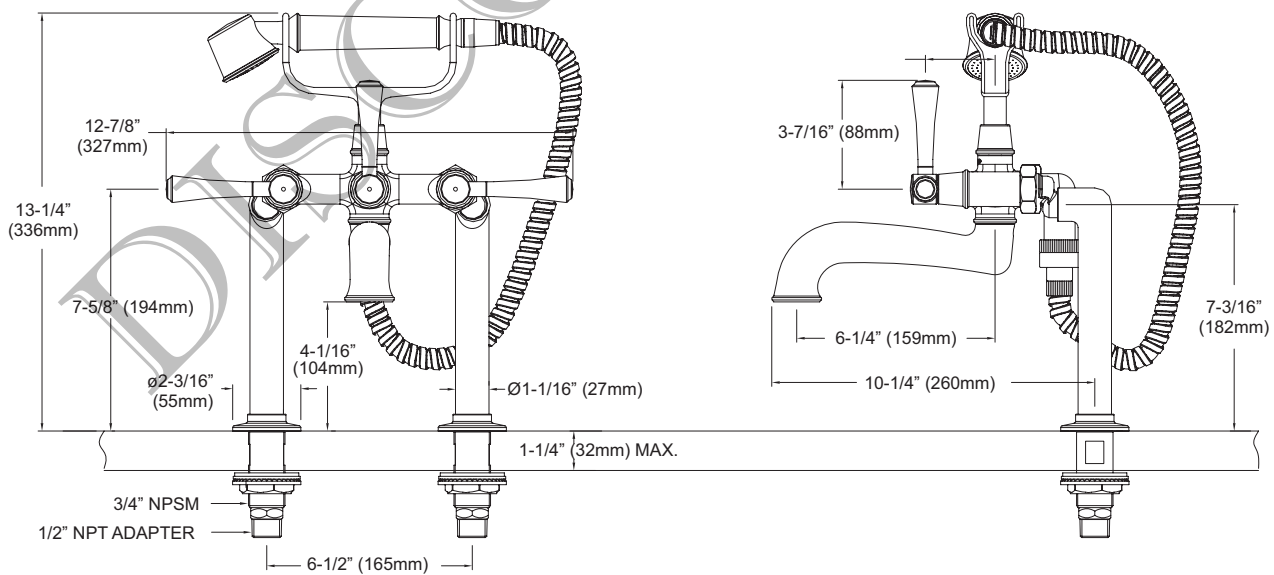
The Deck-Mount tub filler shall have a lever handle. Product shall have a solid brass construction. Product shall have a ceramic disk valve cartridge. Product shall accommodate 8"-16" spread. Product shall be TOTO Model TB784DD ____.

TB784DD

Clayton® Deck-Mount Bath Faucet

SPECIFICATIONS

- Warranty Lifetime Limited Warranty (Residential Use)
One Year (Commercial Use)
- Material Brass
- Shipping Weight 17.5 lbs.
- Shipping Dimensions 12-3/4" L x 10-3/4" W x 10-1/2" H



TOTO®

These dimensions and specifications are subject to change without notice